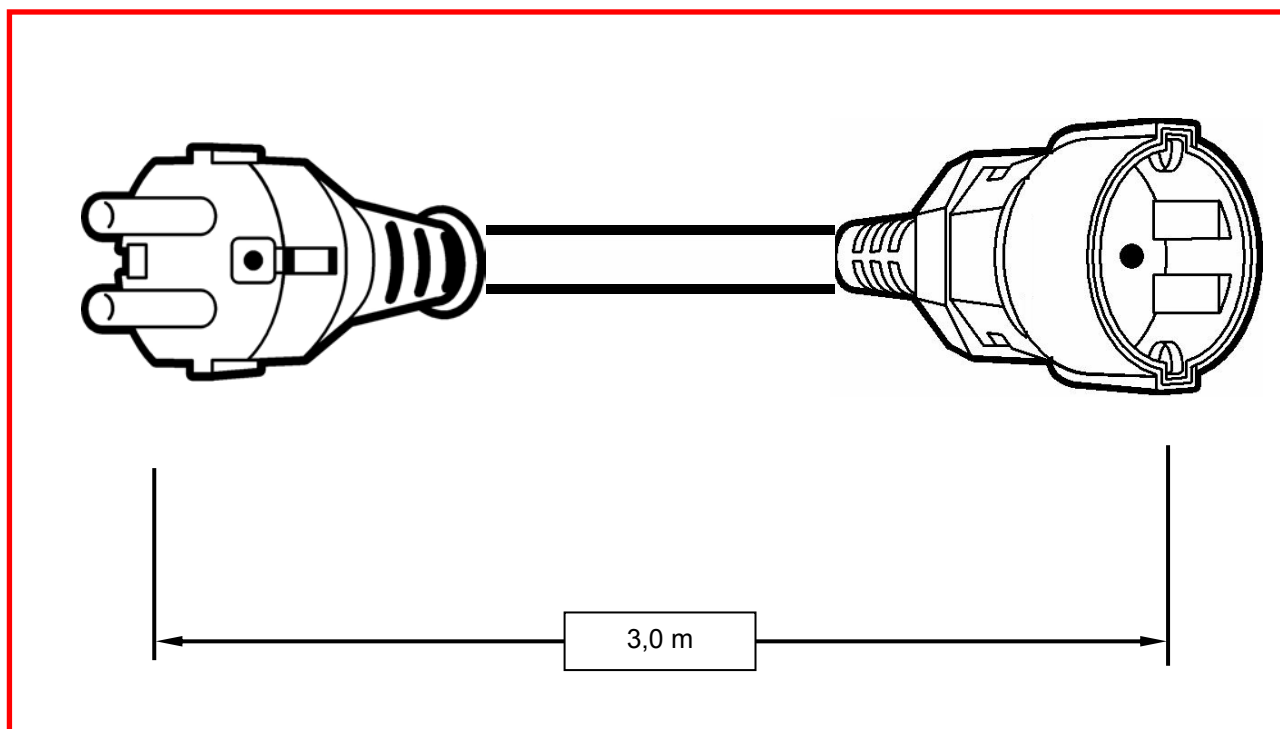


Extensioncord Europe



PRODUCT SPECIFICATION

| | | | |
|---------------------------|---------------------------------------|---------------------------------|--|
| ▶ part number | 2503 | ▶ cable length (m) | 3,0 |
| ▶ current rating (A) | 16 | ▶ cable size (mm ²) | 1,50 |
| ▶ voltage rating (VAC) | 250 | ▶ cable material | PVC |
| ▶ temperature rating (°C) | -15 to +70 | ▶ | |
| ▶ plug type | Continental Europe CEE7/7 "Schuko" | ▶ weight (kg) | 0,500 |
| ▶ plug colour | White | ▶ packaging | Plastic bag |
| ▶ plug style | straight | ▶ plug approvals | CEBEC, DEMKO, FIMKO OVE, UTE, VDE, SEMKO, NEMKO, KEMA, IMQ |
| ▶ connector type | CEE7 side earth | ▶ connector approvals | CEBEC, DEMKO, FIMKO OVE, UTE, VDE, SEMKO, NEMKO, KEMA, IMQ |
| ▶ connector colour | White | ▶ | |
| ▶ connector style | straight | ▶ | |
| ▶ cable type | H05VV-F 3G1.50mm ² | ▶ marking | |
| ▶ cable outer diameter | | ▶ | |
| ▶ cable colour | White | ▶ Last modification | 2009-04-09 |