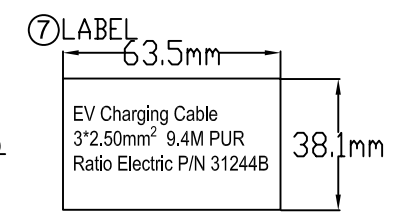
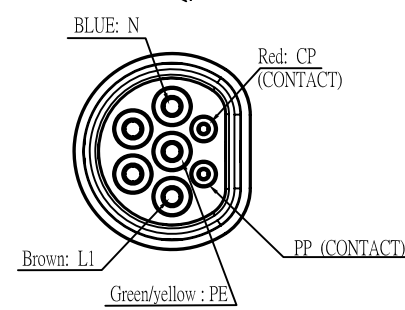
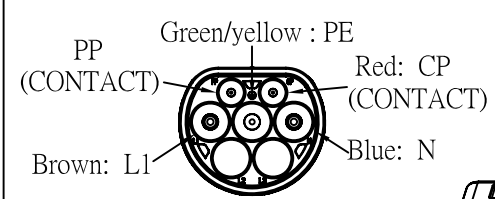
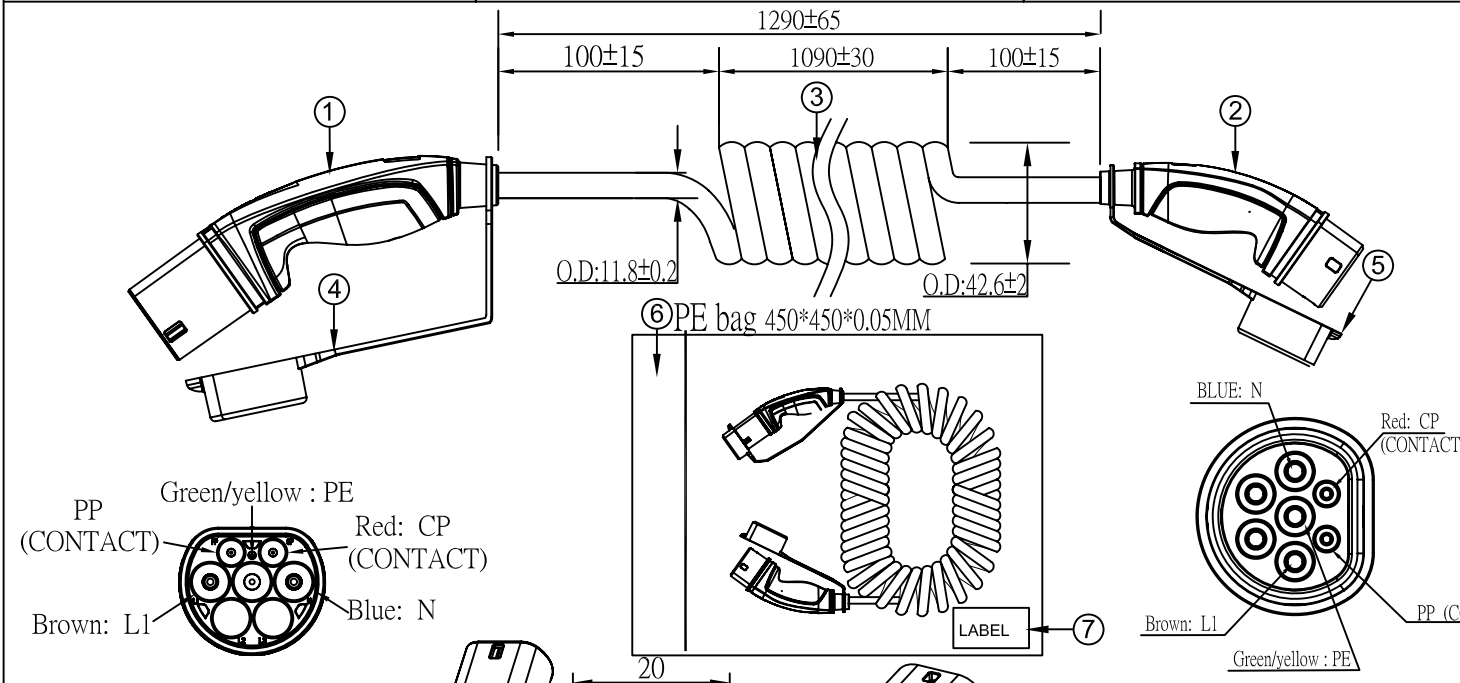


CUSTOMER: P/N: 31244B REV. . APPROVED BY:

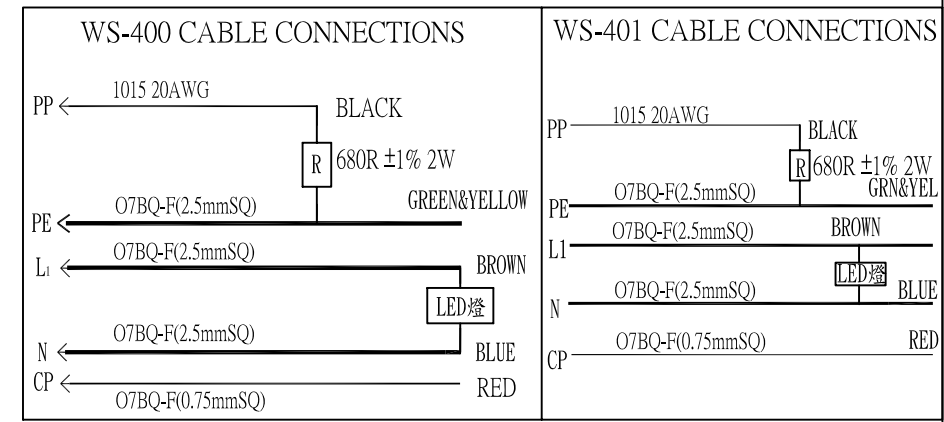
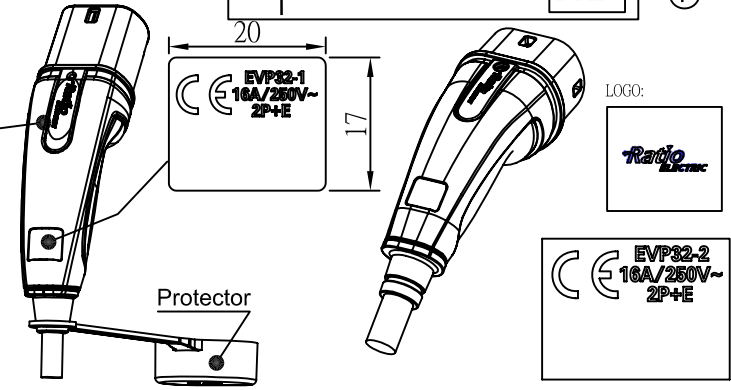
REVISIONS		
REV.	DESCRIPTION	DATE
△		
△		
△		

NOTES:



MARKING:

 1. Marking Print Size 1:1
 2. Marking Color:RAL 6018



ITEM	DESCRIPTION	COLOR	QTY
⑦	LABEL	---	1
⑥	PE bag 450*450*0.05MM	---	1
⑤	WS-401 Waterproof cover	BLACK	1
④	WS-400 Waterproof cover	BLACK	1
③	07BQ-F Charing 3G 2.5MM ² +1C*0.75MM ²	BLACK	1
②	WS-401 16 (A) 250 (V)	GREY	1
①	WS-400 16 (A) 250 (V)	RAL 7023	1

SIGNATURE		Ratio Electric B.V. www.ratio-electric.com		
SAFETY ENGINEER:		PRODUCT NO:	400+401	DATE: 2015/05/14
MANAGER BY:		UNIT:	mm	SHEET: 1 OF 1
CHECKED BY:		DWG NO: 0318-0209		REV. A
DRAWN BY:				