

Ratio Electric

SHORE POWER CONNECTIONS

Ratio
ELECTRIC



WWW.SHORE-POWER.INFO



Brandaris Q52

BOATYARDS AND YACHTSMEN ALL OVER EUROPE PREFER STATE-OF-THE-ART SHORE POWER PRODUCTS FROM RATIO ELECTRIC



Wally Nano



Hallberg Rassy 372



Targa 42/44



Wayer-Osprey 37

Ratio
ELECTRIC

Ambachtsstraat 12
NL 3861 RH Nijkerk

Tel.: 0031 33 245 23 60
Fax: 0031 33 245 31 54

info@ratio.nl
www.shore-power.info



RATIO ELECTRIC

Welcome to the Shore Power catalogue of Ratio Electric.

Here you find the best products to connect your boat with the power supply from the land. Every product we make is designed to be functional, practical and able to withstand the harsh marine environment.

If there is a problem with any of our products, please contact me.

Best regards,

Hans Snaak, managing director

hsnaak@ratio.nl

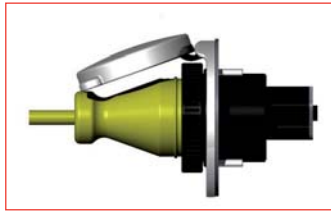


TABLE OF CONTENTS

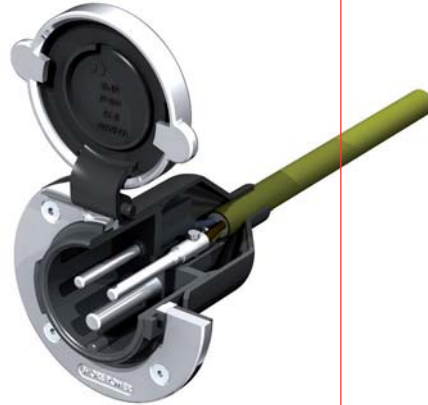
MP WATERPROOF CONNECTION SYSTEM	2
STAINLESS STEEL INLET	2
CABLE CONNECTORS	2
MPI6 SYSTEM (16A)	3
MP32 SYSTEM (32A)	4
MARINCO COMPATIBLE CORD SETS	5
CEE CORD SETS	5
AC16 POWER SYSTEM - PLUG & PLAY	6
POWER CORD REEL	8
SHORE POWER CABLE	10
CORD CLIPS	11
ACCESSORIES	12



MP WATERPROOF CONNECTION SYSTEM



Ratio Electric has designed the MP 16 (16A/250V) and MP32 (32A/250V) system to offer a waterproof, stylish and approved shore power connection system for your boat. ¹⁾ The system is based on the world standard for outdoor connections (the IEC 60309) and features a boat inlet ²⁾ and a mating connector (moulded or assembled).



STAINLESS STEEL INLET

The MP16 and MP32 inlets are made from solid cast marine grade 316 stainless steel and include an easy locking waterproof cap.

- 1) The requirements for installation of electrical systems on craft of hull length up to 24m are specified in the ISO13297 standard.
- 2) MP16 and MP32 inlet will not accept standard CEE couplers.



CABLE CONNECTORS

The MP16 and MP32 cable connectors are available in a moulded watertight version as well as an assembly (rewireable) type. All types include a weatherproof sealing cap to ensure CE compliance.

Moulded connector

- LED power indication
- Watertight moulded construction
- 16A and 32A version

Assembly connector

- Weatherproof marine construction
- Easy assembly
- 16A and 32A version



LED Power indication



MPI6 SHORE POWER SYSTEM

16A/250V



16A/250V

Stainless Steel Inlet

- Part no. MPI6-10
- Marking: CE
- Waterproof: IP56
- Solid cast 316 stainless steel

16A/250V

Polyamid Inlet

- Part no. MPI6-10-K
- Marking: CE
- Waterproof: IP56
- Glass filled PA6

16A/250V

Carbon look Inlet

- Part no. MPI6-10-KC
- Marking: CE
- Waterproof: IP56
- Glass filled PA6 with carbon cover



MP16 Cord Set

- Marking: CE
- Waterproof: IP56
- PUR cable (H07BQ-F)
- Watertight moulded plug and connector
- LED power indication

MPI6 CORD SETS

PART NO.	DESCRIPTION	LENGTH	MAX. RATING
2801	MP16 Cord Set with H07BQ-F 3G1,50mm ² (PUR) Yellow cable	15m	10A
2802	MP16 Cord Set with H07BQ-F 3G1,50mm ² (PUR) Yellow cable	25m	10A
2821	MP16 Cord Set with H07BQ-F 3G2,50mm ² (PUR) Yellow cable	15m	16A
2822	MP16 Cord Set with H07BQ-F 3G2,50mm ² (PUR) Yellow cable	25m	16A



16A/250V Connector

- Part no. MPI6-110
- Marking: CE
- Recommended Cable: H07BQ-F 3G1,50mm² and 3G2,50mm²



MP32 SHORE POWER SYSTEM

32A/250V

32A/250V Stainless Steel Inlet

- Part no. MP32-10
- Marking: CE
- Waterproof: IP56
- Solid cast 316 stainless steel



MP32 Cord Set

- Marking: CE
- Waterproof: IP56
- PUR cable (H07BQ-F)
- Watertight moulded plug and connector
- LED power indication



MP32 CORD SETS

PART NO.	DESCRIPTION	LENGTH	MAX. RATING
2836	MP32 Cord Set with H07BQ-F 3G4,00mm ² (PUR) Yellow cable	15m	25A
2832	MP32 Cord Set with H07BQ-F 3G4,00mm ² (PUR) Yellow cable	25m	25A
2838	MP32 Cord Set with H07BQ-F 3G6,00mm ² (PUR) Yellow cable	25m	32A

32A/250V Connector

- Part no. MP32-110
- Marking: CE
- Recommended Cable: H07BQ-F 3G4,00mm² and H07BQ-F 3G6,00mm²





MARINCO COMPATIBLE CORD SETS

16A/250V



Maringo MCP16 Cord Set

Nema L5-30

- Moulded 3-pin CEE plug
- Moulded Maringo compatible plug
 - Threaded locking ring
- Weatherproof protection cap
 - LED power indication
 - Marking: CE

MARINCO COMPATIBLE CORD SETS

PART NO.	DESCRIPTION	LENGTH	MAX. RATING
2816	MCP16 Cord Set with H07BQ-F 3G2,50mm2 (PUR) Yellow cable	0,50m	16A
2811	MCP16 Cord Set with H07BQ-F 3G2,50mm2 (PUR) Yellow cable	15m	16A
2812	MCP16 Cord Set with H07BQ-F 3G2,50mm2 (PUR) Yellow cable	25m	16A

CEE EXTENSION CORD SETS

16A/250V



CEE Extension Cord Set

- Moulded 3-pin (male) CEE plug
- Moulded (female) CEE connector
 - Weatherproof protection cap
 - LED power indication
 - Marking: CE

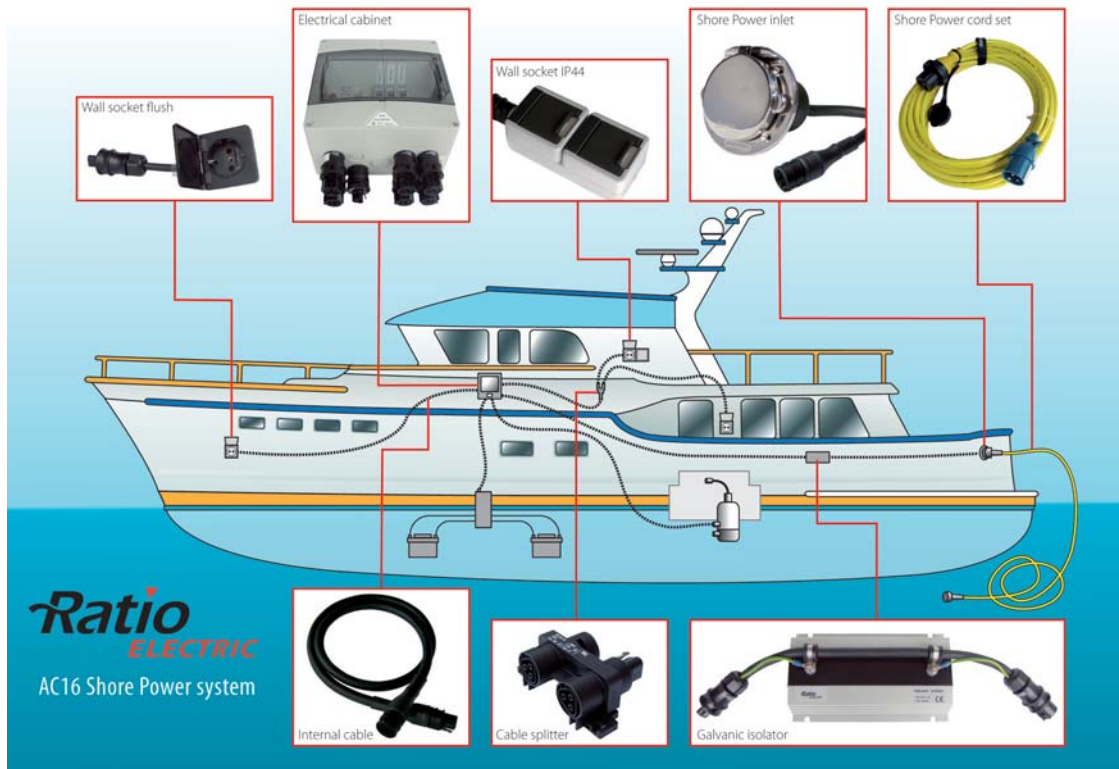
CEE EXTENSION CORD SETS

PART NO.	DESCRIPTION	LENGTH	MAX. RATING
2834	CEE16 Cord Set with H07BQ-F 3G2,50mm2 (PUR) Yellow cable	15m	16A
2835	CEE16 Cord Set with H07BQ-F 3G2,50mm2 (PUR) Yellow cable	25m	16A



AC16 POWER SYSTEM

PLUG & PLAY



Modular plug & play 230 VAC cabling system.

The Ratio Electric AC16 Power System provides a complete plug & play shore power and battery charger system for boats. The system is flexible and easy to extend or modify. All components use snap-in connections for easy installation.

AC16 POWER SYSTEM COMPONENTS



INLET WITH CORD

PART NO.	DESCRIPTION	MAX. RATING
AC16-01	Stainless Steel Inlet	16A
AC16-01-K	Polyamid Inlet	16A
AC16-01-KC	Polyamid Inlet Carbon look	16A



ELECTRICAL CABINET

PART NO.	DESCRIPTION	REMARKS
AC16-03	Electrical Cabinet BASIC	1xRCD 30mA 1xCB 16A
AC16-13	Electrical Cabinet PRO	1xRCD 10mA 3xCB 16A



INTERNAL CABLE

PART NO.	DESCRIPTION	LENGTH	MAX. RATING
AC16-02-1	Internal Cable H07RN-F 3G2,50mm ²	1m	20A
AC16-02-2	Internal Cable H07RN-F 3G2,50mm ²	2m	20A
AC16-02-3	Internal Cable H07RN-F 3G2,50mm ²	3m	20A
AC16-02-4	Internal Cable H07RN-F 3G2,50mm ²	4m	20A
AC16-02-5	Internal Cable H07RN-F 3G2,50mm ²	5m	20A



WALL SOCKET IP44

PART NO.	DESCRIPTION	MAX. RATING
AC16-07-1	Wall Socket 1-way IP44	16A
AC16-07-2	Wall Socket 2-way IP44	16A



WALL SOCKET FLUSH

PART NO.	DESCRIPTION	MAX. RATING
AC16-17	Wall Socket 1-way FLUSH white	16A
AC16-18	Wall Socket 1-way FLUSH black	16A
AC16-19	Wall Socket 1-way FLUSH brown	16A



WALL SOCKET IP68

PART NO.	DESCRIPTION	MAX. RATING
AC16-08	Wall Socket IP68	16A



GALVANIC ISOLATOR

PART NO.	DESCRIPTION	MAX. RATING
AC16-20	Galvanic Isolator	16A



SPLITTER

PART NO.	DESCRIPTION	MAX. RATING
AC16-06	Splitter 1:3	16A

The AC Power System is also available as the AC16 Basic Kit (p/n **AC16 BASIC**).

The AC16 Basic Kit System includes:

- p/n 2801 Shore Power Cord Set 15m
- p/n AC16-01 Stainless Steel Inlet with cord
- p/n AC16-03 Electrical Cabinet
- p/n AC16-02-1 Internal Cable 1m
- p/n AC16-02-2 Internal Cable 2m
- p/n AC16-07-2 Wall Socket 2-way IP44

AC16 POWER SYSTEM BASIC KIT

COMPLETE EQUIPMENT, INSTANT PROTECT

The Ratio Electric AC16 Power System provides a complete plug&play shore power system for boats. The system is flexible and easy to install or modify. All components are made in accordance with international standards without any tools.

SHORE POWER CORD SET
p/n 2801 - length 15 m

STAINLESS STEEL
SHORE POWER INLET INIA

INTERNAL CABLE
p/n length 1m / 2m

ELECTRICAL CABINET
with microbreaker and
earth leakage protection

WALL SOCKET
2-way

Different cable lengths, wall connectors and other wall sockets are available. Check our website: www.shore-power.info

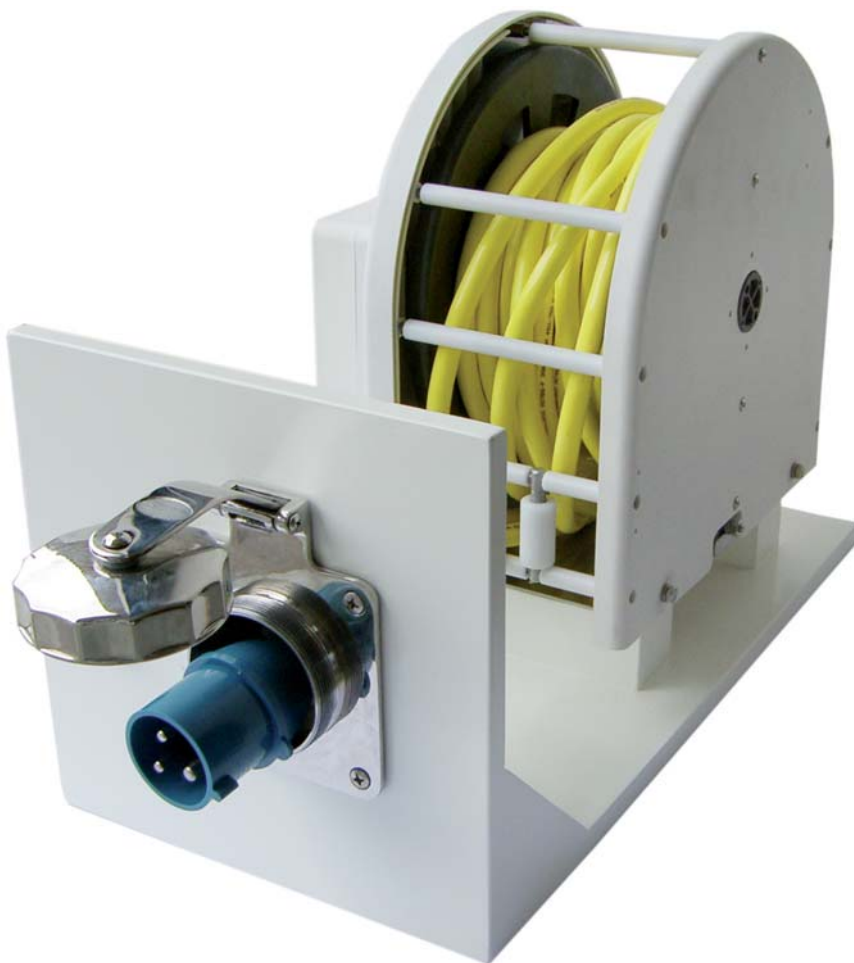


POWER CORD REEL

Shore Power Cable Storage system for 16A and 32A cables.



Shore Power without hassle



Easy to use

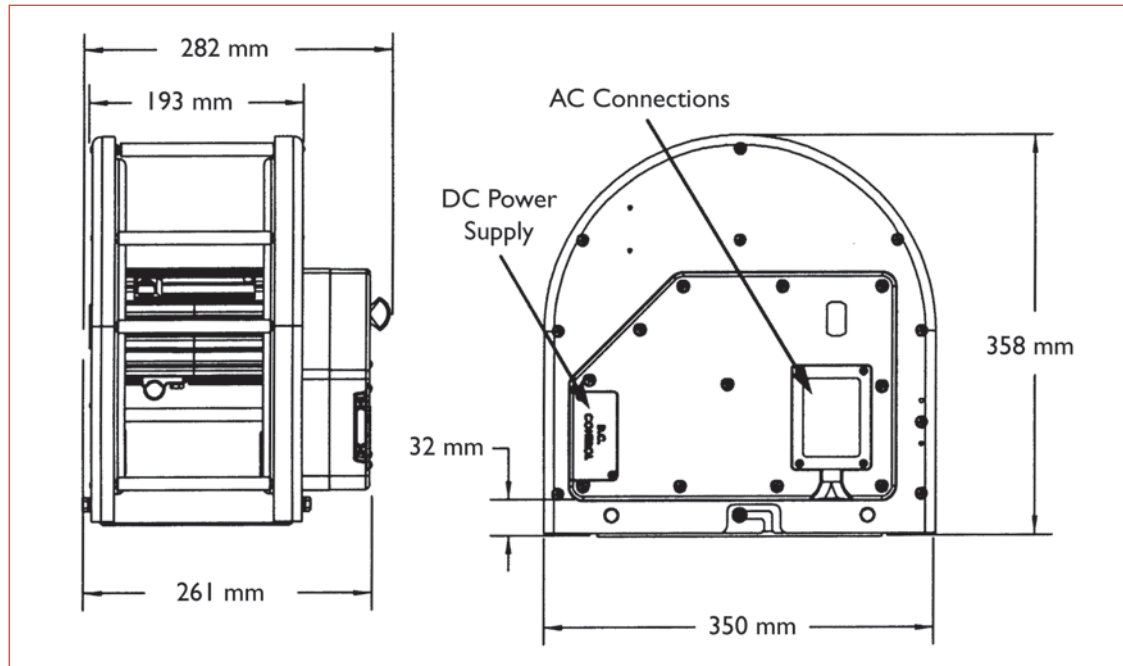
Simply pull out the amount of shore power cable you need. Push the button and the cable will retract and store on the reel.

Compact storage

Store up to 20 m of 16A shore power cable and 15 m of 32A shore power cable.



POWER CORD REEL



Power Cord Reel specifications:

Voltage:	12 or 24 VDC
Operation current:	3-5 A nominal, 15 A peak load
Cable specification:	H07BQ-F (PUR), Yellow with moulded plug CEE (IEC603090, blue)
Weight:	18 kg (including shore power cable and inlet)
Certifications:	Tested for ignition protection Meets all CE requirements

POWER CORD REEL SETS

PART NO.	DESCRIPTION	LENGTH
PCR-16	Cord Reel 16A, Cable H07BQ-F 3G4, 00mm ² with 16A moulded plug	20m
PCR-32	Cord Reel 32A, Cable H07BQ-F 3G6, 00mm ² with 32A moulded plug	15m

Optional features / accessories:

- **Integrated 16/32 A circuit breaker** - provides protection from damage in the event of overload or a short circuit. Conveniently located on the side of the unit with easy, visual indication that the breaker has been tripped.
- **High temperature shut off sensor** - responds automatically when temperatures fall outside the safe, operating temperatures of the unit.
- **Pre-wired boat wire for connection between cord reel and AC distribution panel** - this option provides a length of boat wire that is pre-terminated to the cord reel, which can then be used for connecting to the A/C distribution panel.



SHORE POWER CABLE

Ratio Electric uses PUR (H07BQ-F) cable for all its cord sets.

The same cable can also be supplied on 50m spools.

PUR cable offers the best available features for boat owners:

- Good resistance to oil and other chemicals;
- Extremely robust and noted for its good tear and abrasion resistance;
- Suitable for outdoor lying and resistant to UV radiation, ozon and oxygen.



Shore power cable, 50m spool

- Approval: KEMA
- Marking: H07BQ-F

SHORE POWER CABLE

PART NO.	DESCRIPTION	MAX. RATING
70030	Shore Power H07BQ-F 3G1,50mm ² (PUR) Yellow cable	10A
70031	Shore Power H07BQ-F 3G2,50mm ² (PUR) Yellow cable	16A
70032	Shore Power H07BQ-F 3G4,00mm ² (PUR) Yellow cable	25A
70033	Shore Power H07BQ-F 3G6,00mm ² (PUR) Yellow cable	32A
70034	Shore Power H07BQ-F 3G10,00mm ² (PUR) Yellow cable	40A

PUR cable supplied by:



When flexibility counts



SHORE POWER CORD CLIPS

Loose power cords on the dock and on the deck can create dangerous situations. The Shore Power Cord Clips from Ratio Electric helps you to increase safety on and around your boat.

Shore Power Cord Dock Clip



For cable H07BQ-F 3G1, 50 mm² p/n 70040

For cable H07BQ-F 3G2, 50 mm² p/n 70041

- Use on the edge of the dock or deck
- Keeps Powercords organised and out of the water
- Packaged as a set of 6 clips with stainless steel mounting screws
- Easy to install

Shore Power Cord Rail Clip



p/n 70038

- Keeps your Power cord from the deck
- Easy clip on tube or wire rails
- Packaged as set of 6 clips
- For 16A cords



SHORE POWER ACCESSORIES



Organiser Bag
 • Part no. 70021



Adapter Cord Set 16A/250V
 • Part no. 70022
 • Length 0,30m



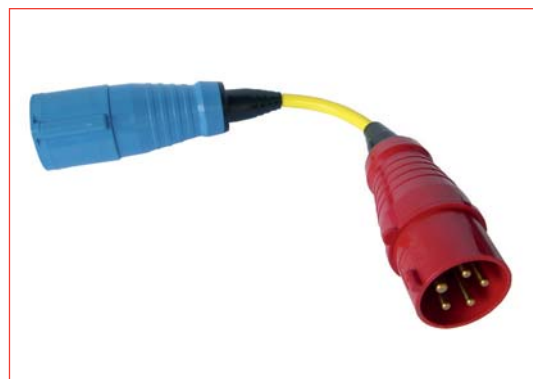
Splitter Cord Set CEE
 16A/250V
 • Part no. 70024
 • Length 0,50m



Adapter Cord Set 16A/250V
 • Part no. 70026
 • Length 0,30m



Adapter Cord Set
 16A to 32A/250V
 • Part no. 70035
 • Length 0,50m



Adapter Cord Set
 32A 3-phase to single phase
 • Part no. 70036
 • Length 0,50m



Ratio
ELECTRIC

POWERFUL PERFORMANCE,
POWERFUL PRODUCTS

Ratio Electric



Ratio
ELECTRIC

Ratio Electric B.V.
Ambachtsstraat 12
3861 RH Nijkerk
The Netherlands

Tel. +31(0)33 245 23 60
Fax +31(0)33 245 31 54
info@ratio.nl
www.shore-power.info