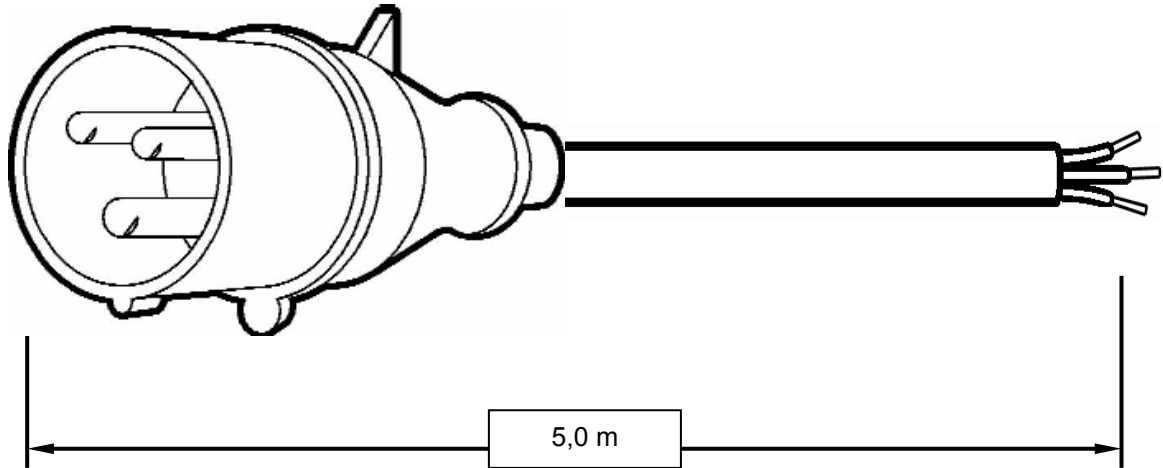


Powercord CEE 3-Pole



PRODUCT SPECIFICATION

▶ part number	1803
▶ current rating (A)	16
▶ voltage rating (VAC)	230
▶ temperature rating (°C)	-25 to +60
▶ plug type	IEC60309 3-Pole Moulded IP44
▶ plug colour	Blue
▶ plug style	straight
▶	
▶ jacket stripped (mm)	100
▶ blue conductor	6mm stripped & wirepin
▶ brown conductor	6mm stripped & wirepin
▶ green/yellow cond.	6mm stripped & wirepin
▶ cable type	H07RN-F 3G1,50mm ²
▶ cable outer diameter (mm)	9,8
▶ cable colour	Black

▶ cable length (m)	5,0
▶ cable size (mm ²)	1,50
▶ cable material	Rubber (Neopreen)
▶	
▶ weight (kg)	0.750
▶ packaging	
▶ plug approvals	VDE
▶	
▶	
▶	
▶ marking	CE
▶ Last modification	2009-04-09