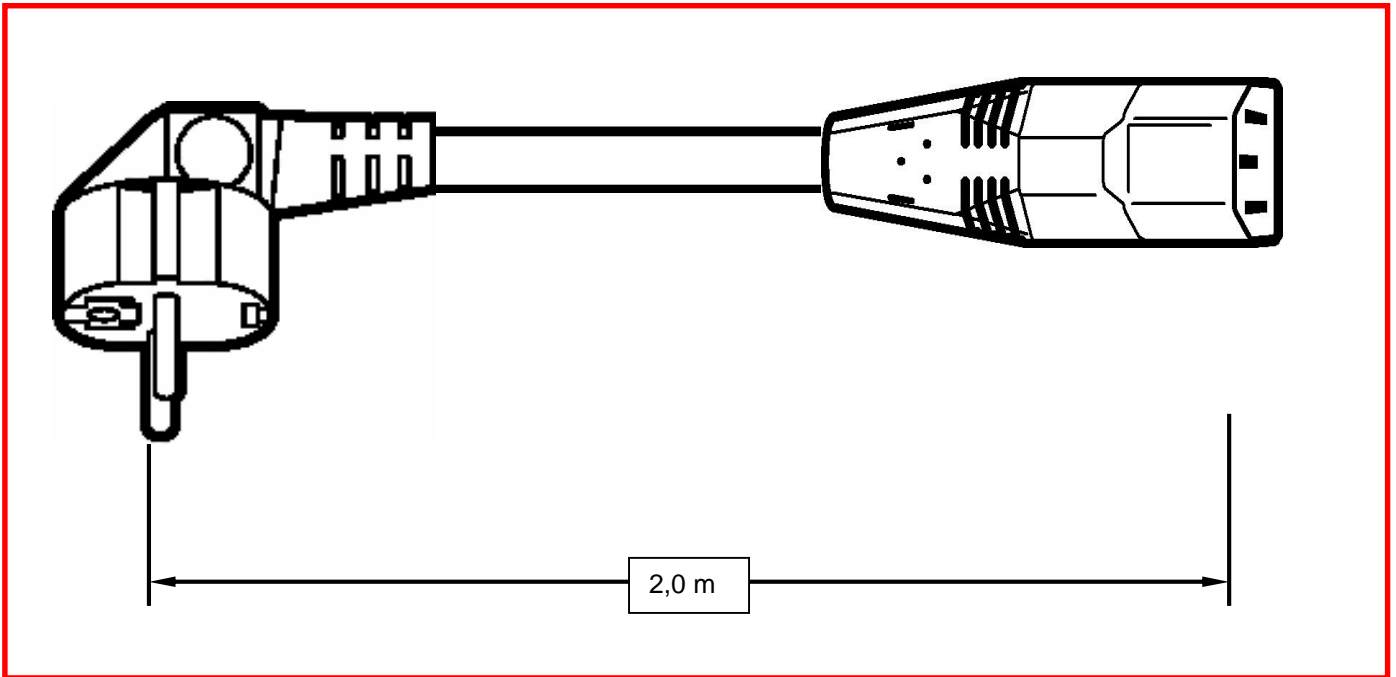


Cordset Europe



PRODUCT SPECIFICATION

▶ part number	1403
▶ current rating (A)	6
▶ voltage rating (VAC)	250
▶ temperature rating (°C)	-15 to +70
▶ plug type	Continental Europe CEE 7/7 "Schuko"
▶ plug colour	Black
▶ plug style	Angled
▶ connector type	IEC 60320 C13
▶ connector colour	Black
▶ connector style	straight
▶	
▶	
▶ cable type	H05VV-F 3G1.00mm ²
▶ cable outer diameter(mm)	6,7
▶ cable colour	Black

▶ cable length (m)	2,0
▶ cable size (mm ²)	1.00
▶ cable material	PVC
▶	
▶ weight (kg)	0,170
▶ packaging	
▶ plug approvals	CEBEC,DEMKO,FIMKO OVE,UTE,VDE,SEMKO, NEMKO,KEMA,IMQ
▶ connector approvals	CEBEC,DEMKO,FIMKO OVE,UTE,VDE,SEMKO, NEMKO,KEMA,IMQ
▶	
▶	
▶ marking	
▶ Last modification	2010-03-05